

# 应用领域 APPLICATION AREA

Pogo Pin一般应用于手机、通讯、汽车、医疗、航空航天等电子产品中的精密连接器;由于PogoPin是一个很精细的探针,体积可以做到非常小,所以应用在精密连接器中可以降低连接器的重量、节省空间、美化产品外观(如:蓝牙耳机,电子烟,智能手表等产品)。

Pogo pin is generally used in precision connectors of mobile phone communication, automobile, medical, aerospace and other electronic products; because pogo pin is a very fine probe and its volume can be very small, it can reduce the weight of connector, save space and beautify the appearance of products (such as: Bluetooth headset, e-cigarette, smart watch and other products) when applied in precision connectors.

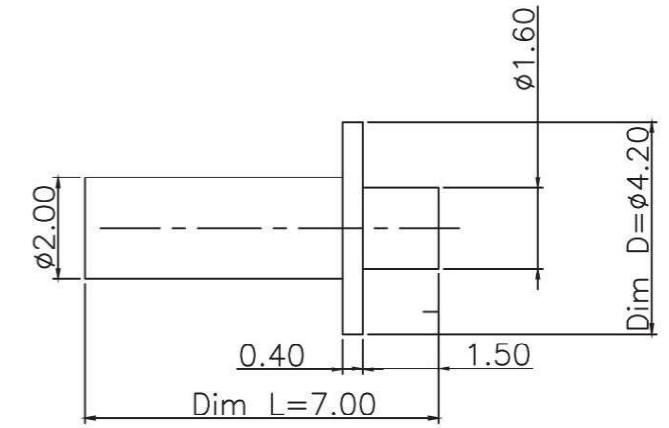


# 目录索引 CATALOG INDEX

	PRODUCT DESCRIPTION	P/N	PAGE
<b>SPRING PIN SERIES (不带胶系列)</b>	4.2*7.0mm pogo pin male pin with hole	PGP-D42-L70G	6
	4.5*6.3mm pogo pin male pin with thread	PGP-D45-L63G	6
	1.9*2.5mm pogo male pin R/A SMT Type	PG-D19-L25G	6
	pogo pin & Banana plug series	PG-D51-RL2375G5	7
	2.5*11.0mm pogo pin (drilled cup type)	PG-D254-L1100G10	7
	1.4*7.2mm pogo pin	PG-D14-L72G5	7
	2.8*11.4mm pogo pin (current 6A)	PG-D28-114G	8
	2.7*6.3mm pogo pin (current 6A)	PG-D27-63G5	8
	2.6*6.2mm pogo pin (current 6A)	PG-D26-62G	8
	1.5*3.5mm pogo pin (flat shape type)	PG-FS15-L35G	9
3.1*5.7mm pogo pin	PG-D31-L57G5	9	
2.0*5.5mm pogo pin (flat shape type)	PG-D20-L55BG	9	
2.5*5.9mm pogo pin	PG-D25-L59G	10	
1.7*4.3mm pogo pin (side flat shape type)	PG-FS17-L43BG	10	
5.8*13mm pogo pin (with screw)	PG-D58-L1300N	10	
<b>SPRING LOAD PIN WITH PLASTIC SERIES (带塑胶系列)</b>	1.1mm 5pin pogo pin dip type H=5.4mm	PGA11-05G-54	12
	1.1mm 5pin pogo pin dip type H=7.2mm	PGA11-05G-72	12
	1.25mm 10pin pogo pin double row H=5.7mm	PG125-10G10-57	12
	1.47mm 5pin pogo pin dip type H=5.8mm	PGA147-05G-58	13
	1.65mm 5pin pogo pin dip type H=5.85mm	PGA165-05G-58	13
	2.0mm 6pin pogo pin waferproof type	PGPARSM20-06G10-IP	13
	2.3mm 2pin pogo pin dip type H=6.0mm	PGA23-02G10-60	14
	2.5mm 2pin pogo pin dip type H=4.8mm	PGA25-02G10-48	14
	2.5mm 7pin pogo pin dip type H=6.2mm	PGA25-07G-62	14
	2.54mm 6pin pogo pin dip type H=6.0mm	PGA254-06G5-60	15
	2.54mm 8pin pogo pin R/A SMT type	PGPARSM254-08G5-65	15
	2.54mm 6pin pogo pin R/A dip type	PGAR254-04G10-H254	15
	2.5*14mm circular 5Pin Pogo Pin	PG25-05G-DC14	16
	2.7mm 3pin pogo pin dip type H=6.5mm	PGA27-03G-65	16
	3.0mm 3pin pogo pin SMT type H=8.5mm	PGA30-02G10-85	16
	3.0mm 8pin pogo pin dip type H=11.7mm	PGA30-08G-117	17
	3.0mm 3pin pogo pin dip type H=7.2mm	PGA30-03G15-72	17
	3.0mm 2pin pogo pin dip type H=8.2mm	PGA30-02G5-82	17
	3.4mm 2pin pogo pin dip type H=7.0mm	PGA34-02G10-70	18
	3.5mm 3pin pogo pin dip type H=6.8mm	PGA35-03G-68-E2	18
	3.5mm 8pin pogo pin dip type H=11.7mm	PGA35-08G5-117	18
	3.5mm 8pin pogo pin dip type H=9.5mm	PGA35-08G5-95	19
3.5mm 8pin pogo pin dip type H=6.5mm	PGA35-08G5-65	19	
3.5mm 2pin pogo pin R/A dip type	PGAR35-02G-6725	19	
3.9mm 4pin pogo pin R/A dip type	PGPAR39-04G	20	
3.9mm 4pin pogo pin dip type H=8.3mm	PGA39-04G10-83	20	
4.0mm 3pin pogo pin dip type H=8.9mm	PGA40-03G16-89	20	
4.0mm 6pin pogo pin with nut type	PGA40-06G-NUT	21	
4.0mm 6pin pogo pin with nut type	PGPA40-06G-NUT	21	
4.0mm 2pin pogo pin R/A dip type	PGAR40-02G10-H27	21	
4.0mm 3pin pogo pin R/A dip type	PGAR40-03G5	22	
6.7mm 3pin pogo pin dip type H=11.6mm	PGA67-03G5-116	22	

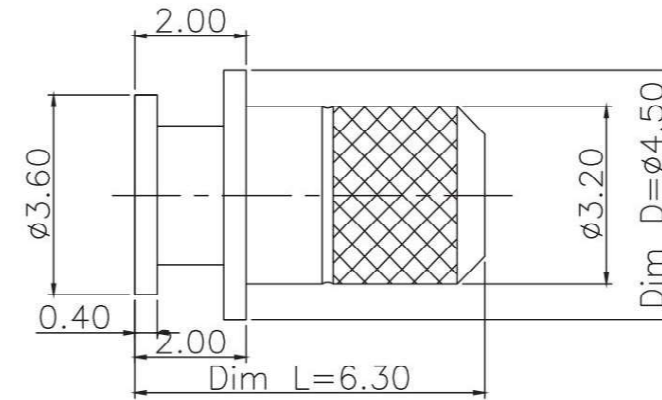


弹针系列 Spring load pin Series ▶



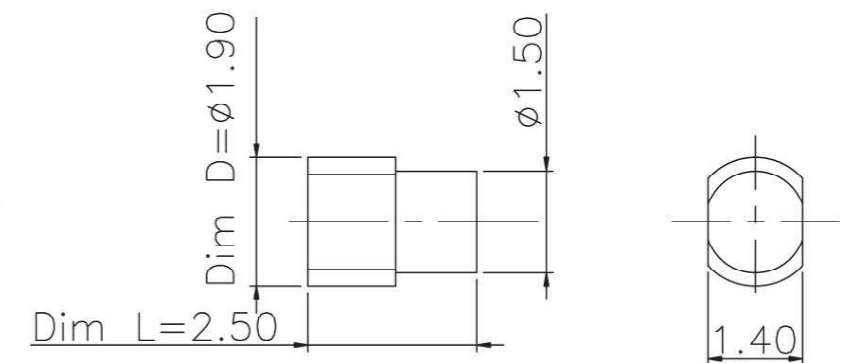
4.2\*7.0mm pogo male pin with hole  
4.2\*7.0mm 铜柱公针有穿孔

P/N:PGP-D42-L70G  
Diameter(Dim D) and length (Dim L)customizable (直径和长度可定制)



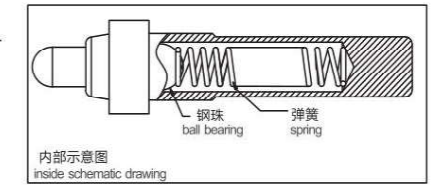
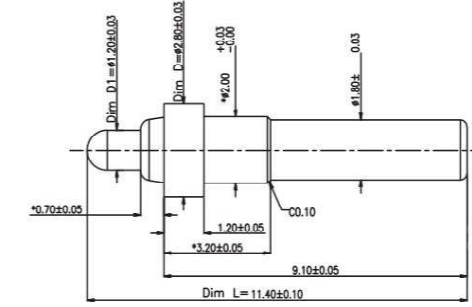
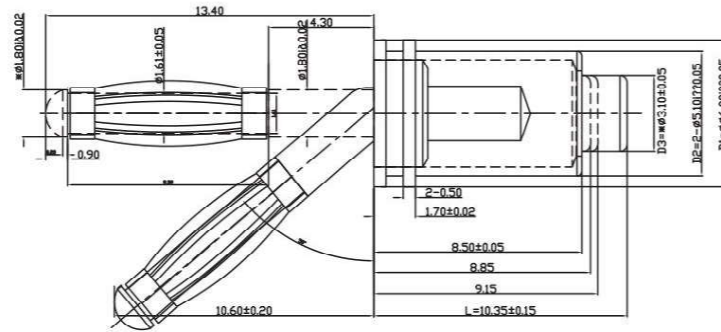
4.5\*6.3mm pogo male pin with thread  
4.5\*6.3mm 铜柱公针有咬花

P/N:PGP-D45-L63G  
Diameter(Dim D) and length (Dim L)customizable (直径和长度可定制)



1.9\*2.5mm POGO Pin Male pin R/A SMT Type  
1.9\*2.5mm 铜柱公针卧贴

P/N:PGP-D19-L25G  
Diameter(Dim D) and length (Dim L)customizable (直径和长度可定制)

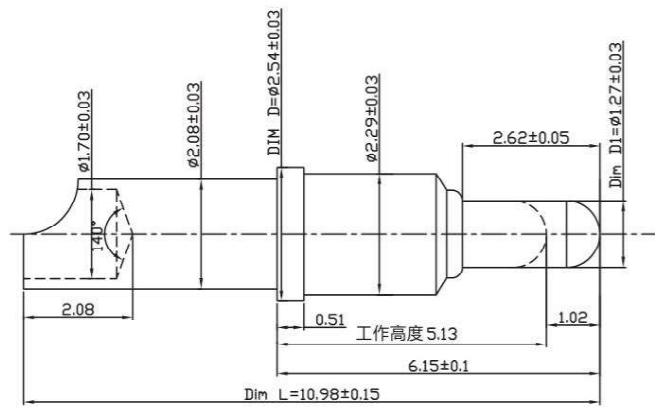


POGO PIN & Banana Plug Series  
弹针+香蕉头公针系列

P/N:PG-D51-RL2375G5  
Diameter(Dim D) and length (Dim L)customizable (直径和长度可定制)

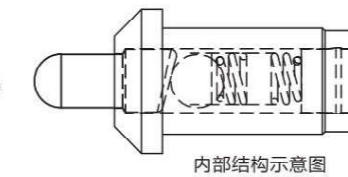
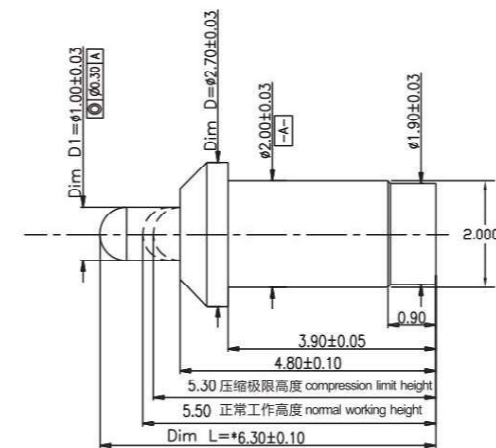
2.8\*11.4mm Pogo Pin (Current 6A)  
2.8\*11.4mm弹针(6A电流)

P/N:PG-D28-L1140G(Length custom)  
Diameter(Dim D) and length (Dim L)customizable (直径和长度可定制)



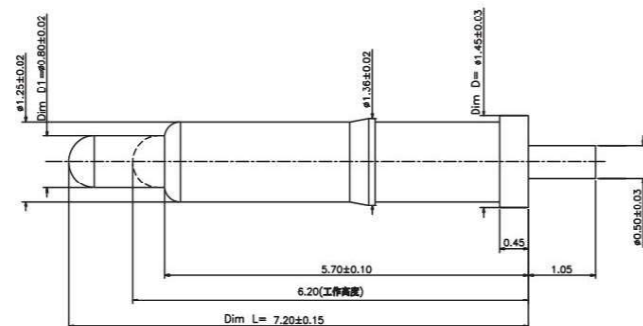
2.5\*11.0mm Pogo Pin (Drilled Cup Type)  
2.5\*11.0mm弹针 (钻孔铣杯型)

P/N:PG-D25-L1100G10(Length custom)  
Diameter(Dim D) and length (Dim L)customizable (直径和长度可定制)



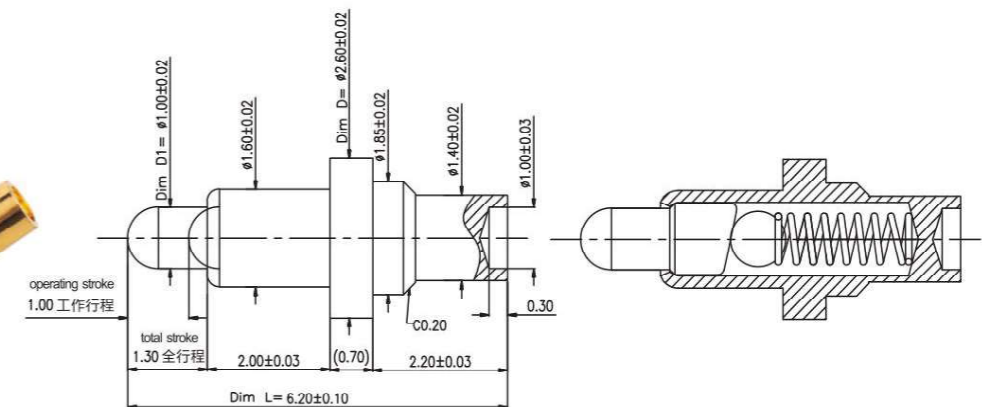
2.7\*6.3mm Pogo Pin (Current 6A)  
2.7\*6.3mm弹针(6A电流)

P/N:PG-D27-L63G5(Length custom)  
Diameter(Dim D) and length (Dim L)customizable (直径和长度可定制)



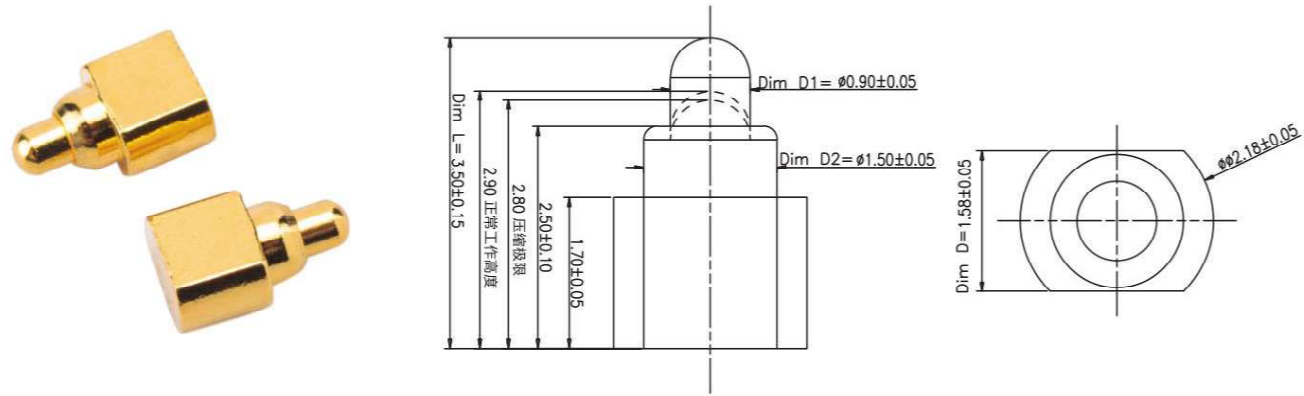
1.4\*7.2mm Pogo Pin  
1.4\*7.2mm弹针

P/N:PG-D14-L72G5(Length custom)  
Diameter(Dim D) and length (Dim L)customizable (直径和长度可定制)



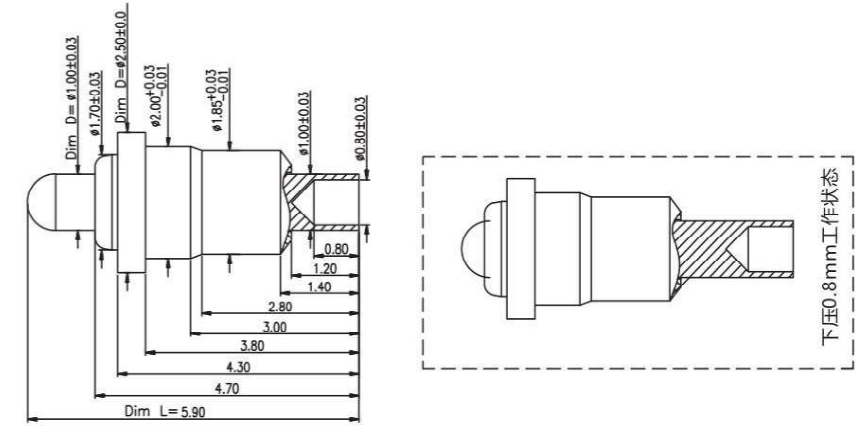
2.6\*6.2mm Pogo Pin (Current 6A)  
2.6\*6.2mm弹针(6A电流)

P/N:PG-D26-L62G(Length custom)  
Diameter(Dim D) and length (Dim L)customizable (直径和长度可定制)



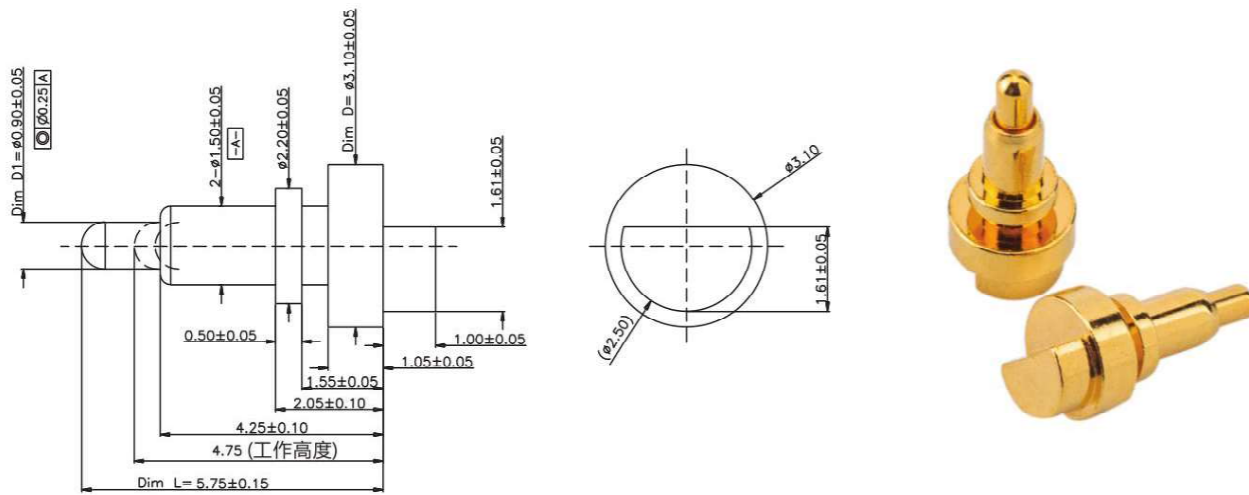
1.5\*3.5mm Pogo Pin (Flat Shape Type)  
1.5\*3.5mm弹针 (扁平型)

P/N:PG-FS15-L35G(Length custom)  
Diameter(Dim D) and length (Dim L)customizable (直径和长度可定制)



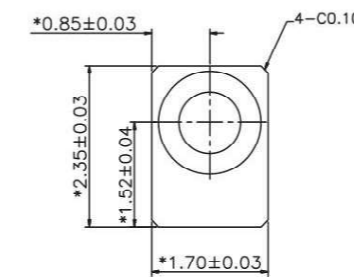
2.5\*5.9mm Pogo Pin  
2.5\*5.9mm弹针

P/N:PG-D25-L59G(Length custom)  
Diameter(Dim D) and length (Dim L)customizable (直径和长度可定制)

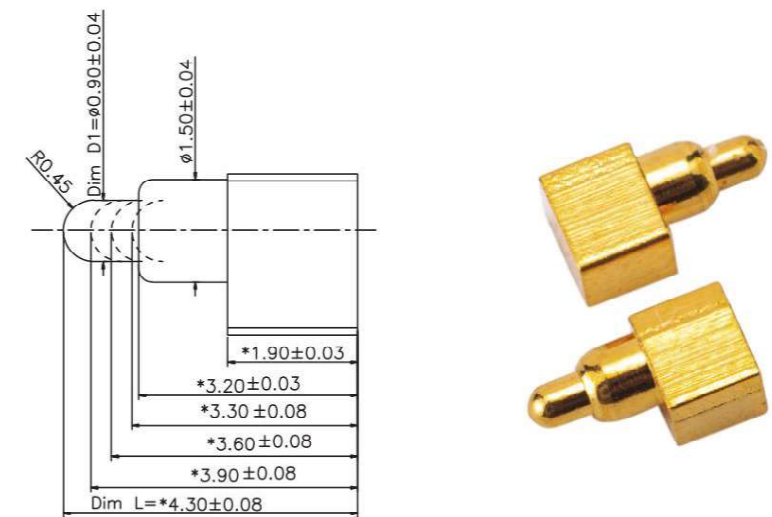


3.1\*5.7mm Pogo  
3.1\*5.7mm弹针

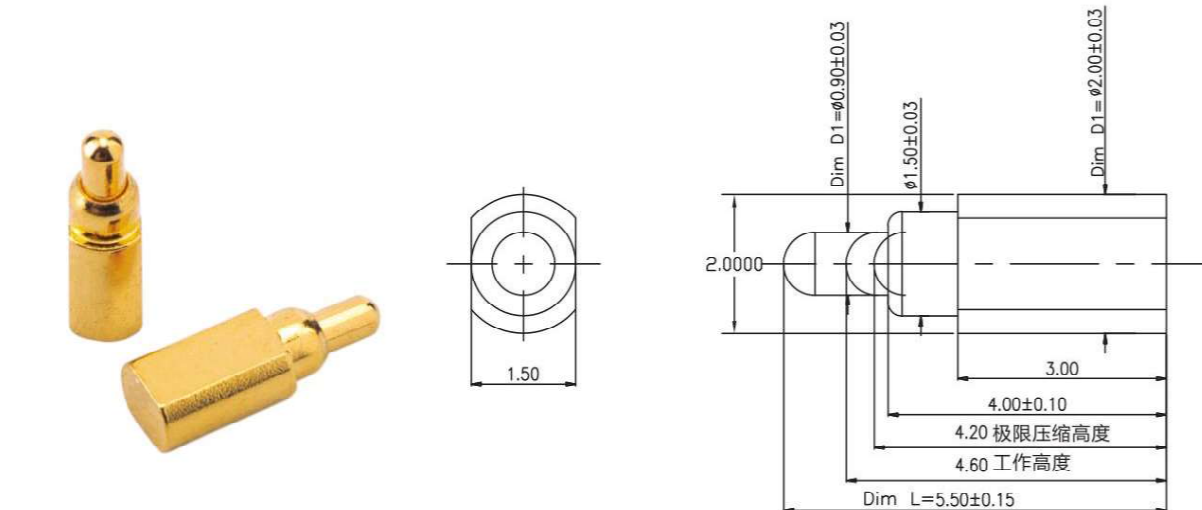
Pin P/N:PG-D31-L57G5(Length custom)  
Diameter(Dim D) and length (Dim L)customizable (直径和长度可定制)



1.7\*4.3mm Pogo Pin (Side Flat Shape Type)  
1.7\*4.3mm弹针 (单侧扁平型)



P/N:PG-FS17-L43G(Length custom)  
Diameter(Dim D) and length (Dim L)customizable (直径和长度可定制)

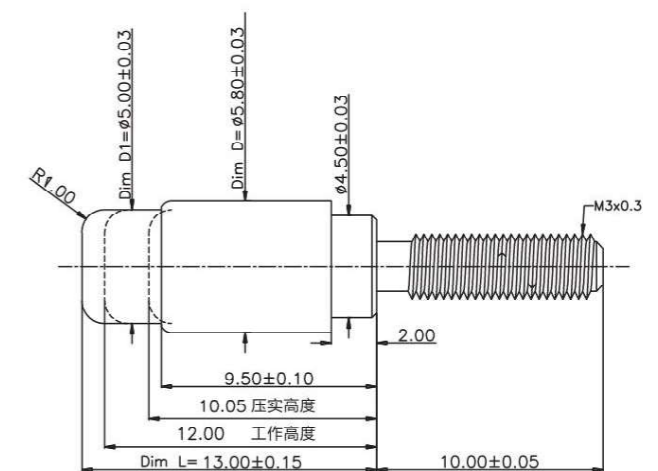


2.0\*5.5mm Pogo Pin (Flat Shape Type)  
2.0\*5.5mm弹针 (扁平型)

P/N:PG-D20-L55BG(Length custom)  
Diameter and length customizable (直径和长度可定制)



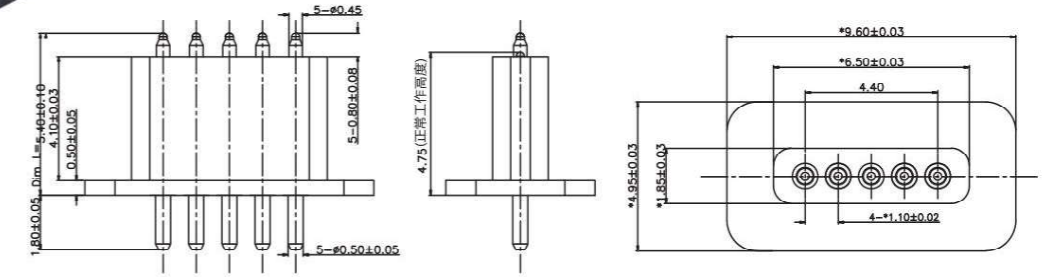
5.8\*13mm Pogo Pin (With Screw)  
5.8\*13mm弹针 (有螺牙)



P/N:PG-D58-L1300N(Length custom)  
Diameter(Dim D) and length (Dim L)customizable (直径和长度可定制)

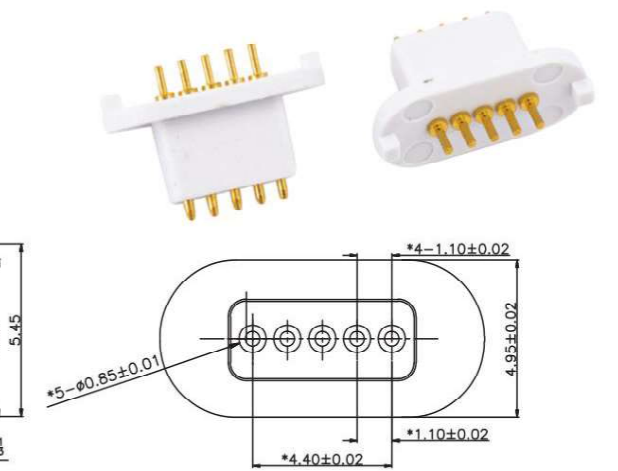
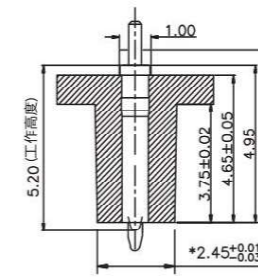
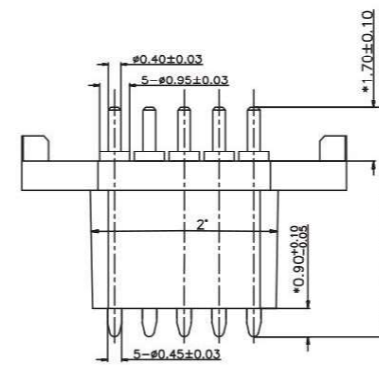


带塑胶系列 Spring load pin with plastic series



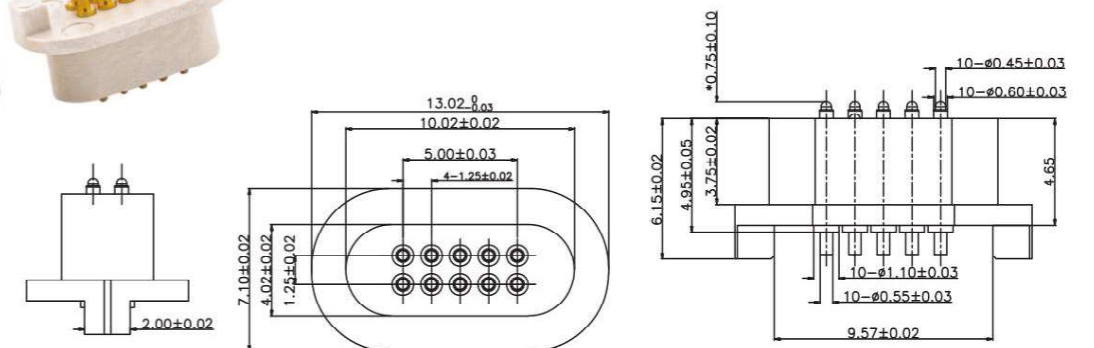
1.1mm 5Pin POGO PIN Dip Type H=5.4mm  
1.1间距弹针5P高5.4mm

P/N:PGA11-05G-54  
pin number and Pin height(Dim L) customizable (pin数和pin高度可定制)



1.1mm 5Pin POGO PIN Dip Type H=7.2mm  
1.1间距弹针5P高7.2mm

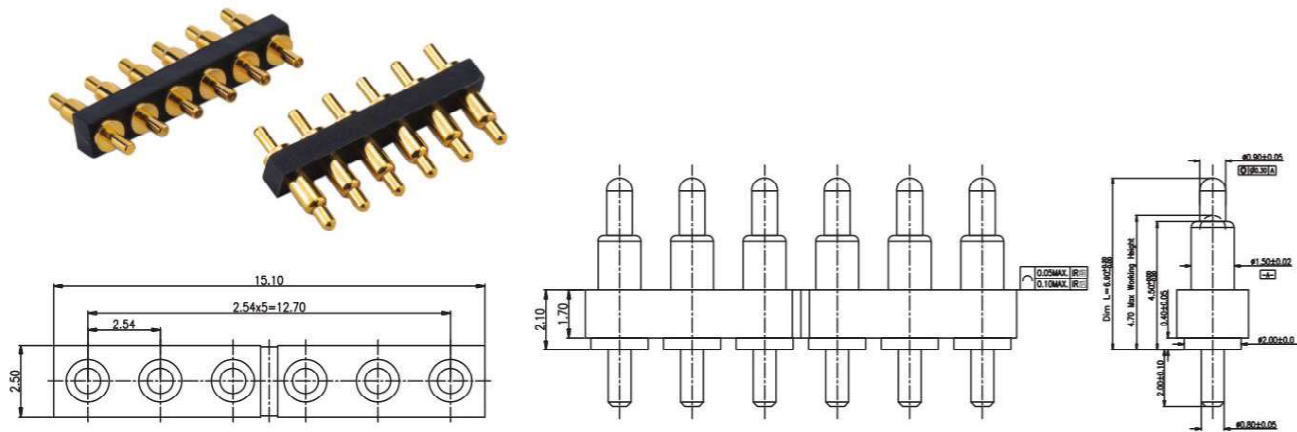
P/N:PGA11-05G-72  
pin number and Pin height(Dim L) customizable (pin数和pin高度可定制)



1.25mm 10Pin POGO PIN Double Row H=5.7mm  
1.25间距弹针10P高5.7mm

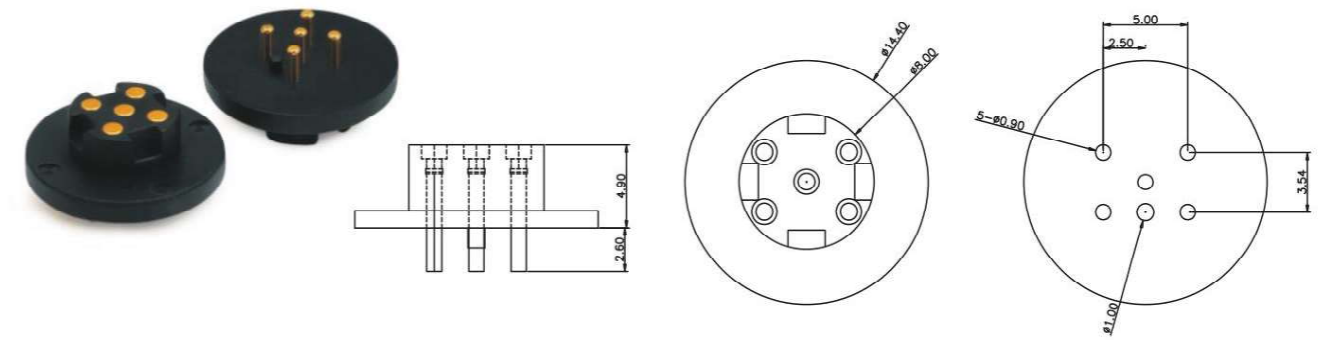
P/N:PG125-10G10-57  
pin number and Pin height(Dim L) customizable (pin数和pin高度可定制)





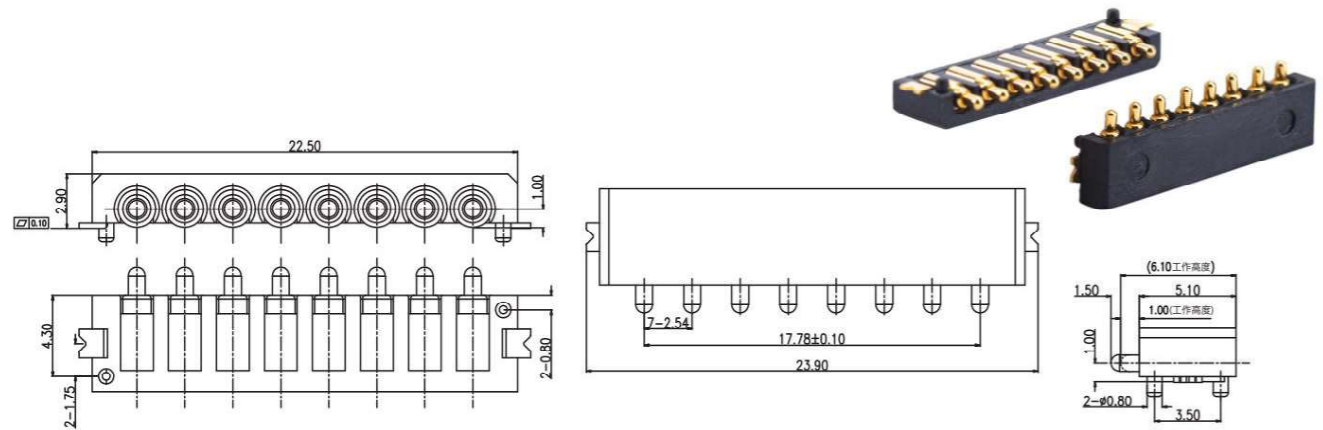
2.54mm 6Pin POGO PIN Dip Type H=6.0mm  
2.54间距弹针6P高6.0mm

P/N:PGA254-06G5-60  
pin number and Pin height(Dim L) customizable (pin数和pin高度可定制)



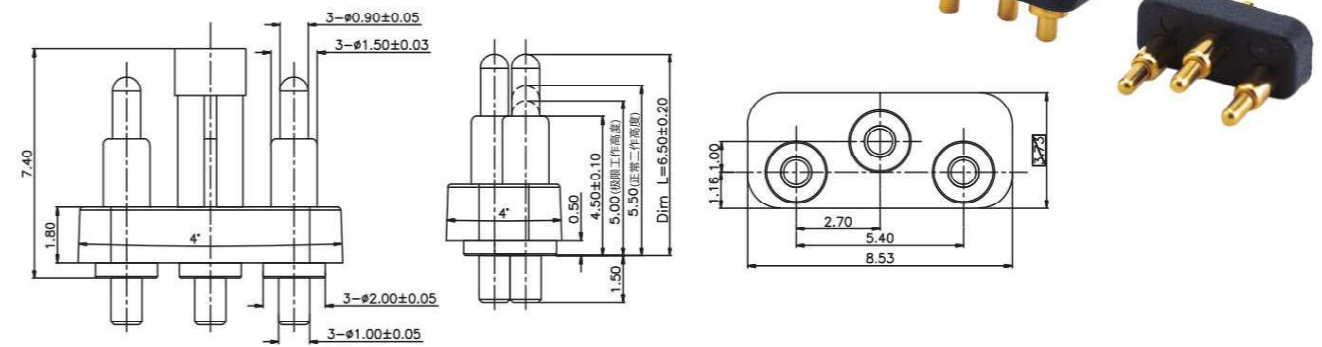
2.5\*14mm circular 5Pin Pogo Pin  
2.5\*14mm 圆形5Pin弹针

PG25-05G-DC14  
Diameter&pin number and length customizable (直径&pin数和长度可定制)



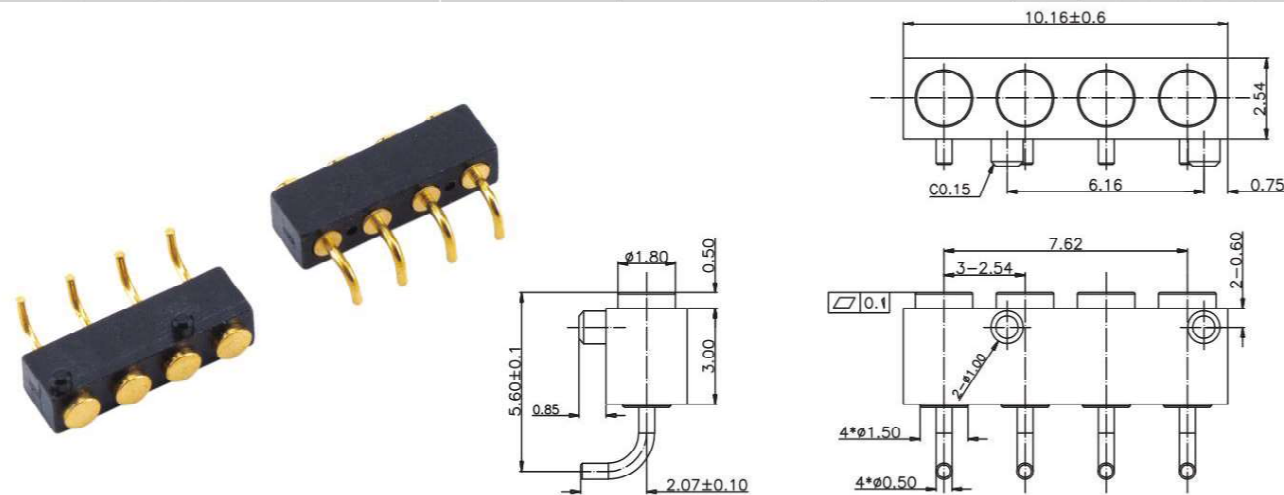
2.54mm 8Pin POGO PIN R/A SMT Type  
2.54间距弹针8P卧贴

P/N:PGARSM254-08G5-65  
Diameter&pin number and length customizable (直径&pin数和长度可定制)



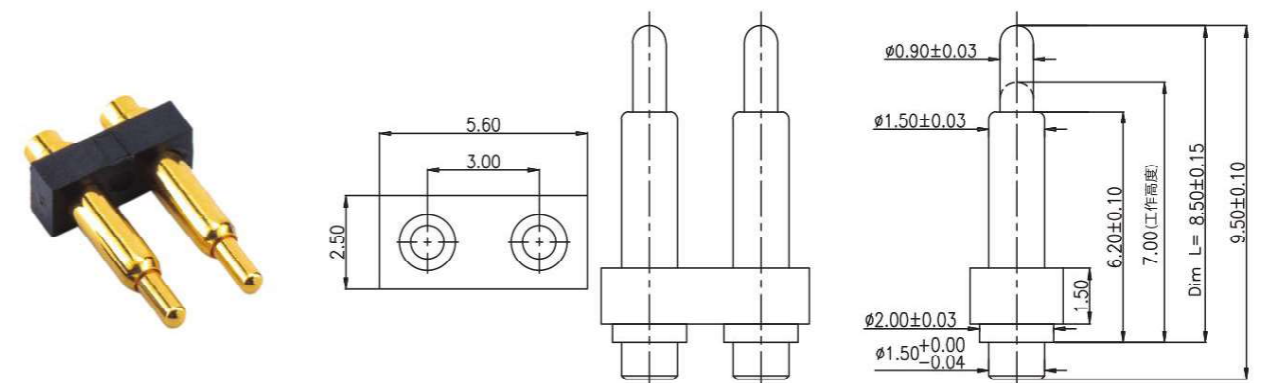
2.7mm 3Pin POGO PIN Dip Type H=6.5mm  
2.7间距3P弹针针长6.5mm

P/N:PGA27-03G-65  
Diameter&pin number and length customizable (直径&pin数和长度可定制)



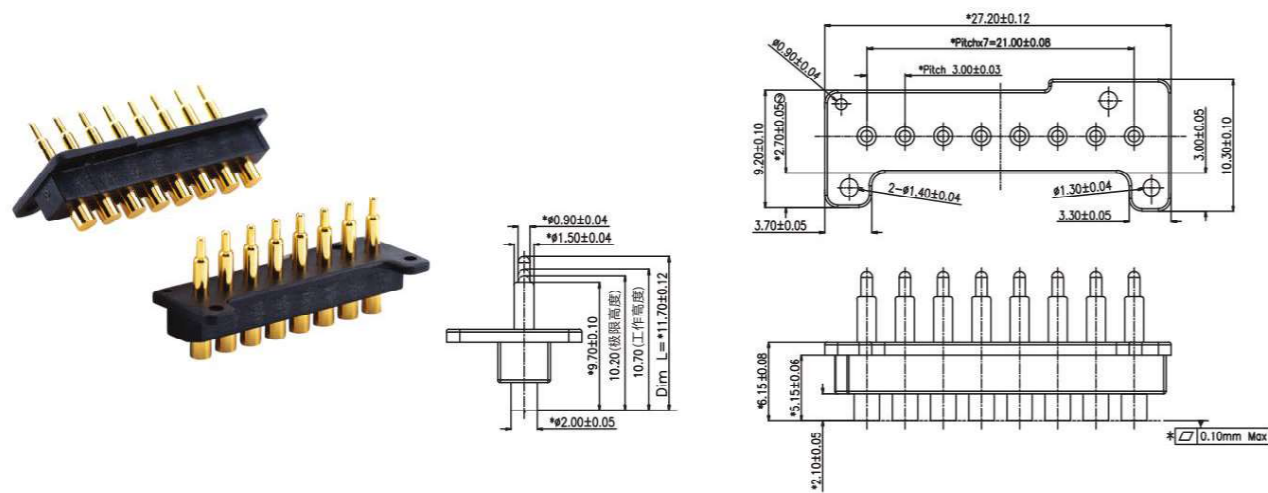
2.54mm 4Pin POGO PIN R/A Dip Type  
2.54间距弹针4P弯针

P/N:PGPAR254-04G10-H254  
Diameter&pin number and length customizable (直径&pin数和长度可定制)

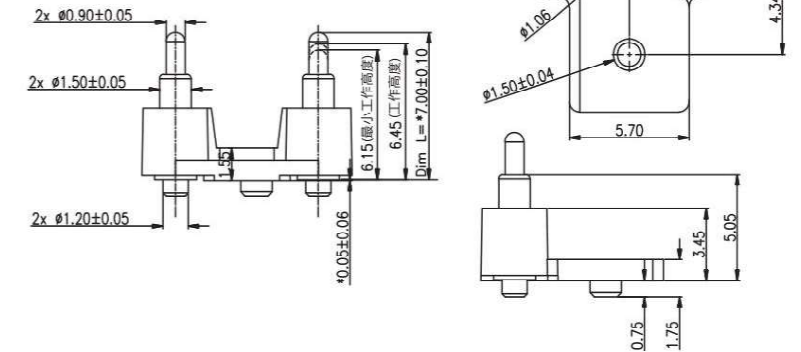


3.0mm 2Pin POGO PIN SMT Type H=8.5mm  
3.0间距弹针2P高8.5mm

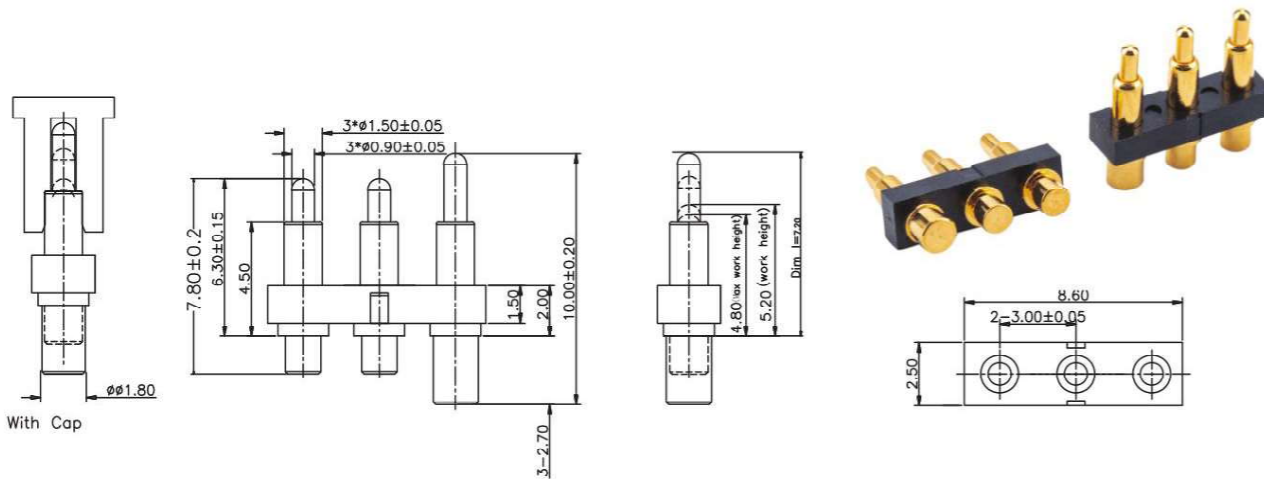
P/N:PGA30-02G10-85  
pin number and Pin height(Dim L) customizable (pin数和pin高度可定制)



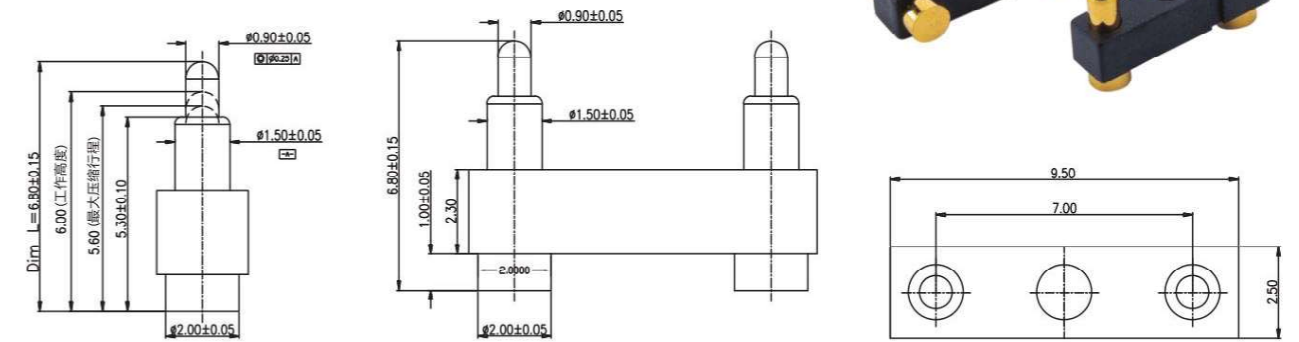
3.0mm 8Pin POGO PIN Dip Type height 11.7mm P/N:PGA30-08G-117  
3.0间距弹针8pin 针高11.7mm pin number and Pin height(Dim L) customizable (pin数和pin高度可定制)



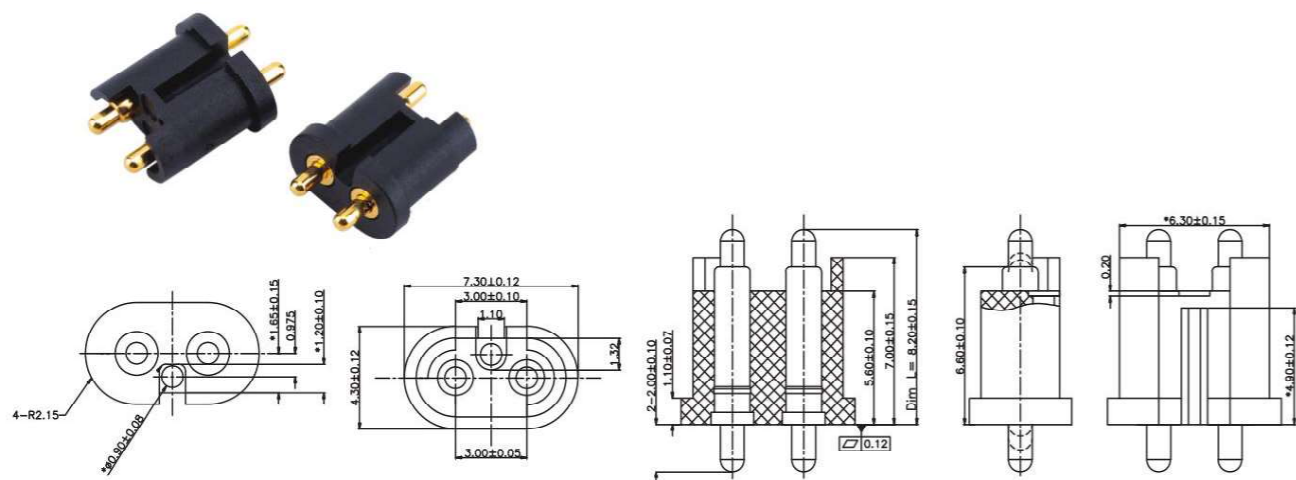
3.4mm 2Pin POGO PIN Dip Type H=7.0mm P/N:PGA34-02G10-70  
3.4间距弹针2P高7.0mm pin number and Pin height(Dim L) customizable (pin数和pin高度可定制)



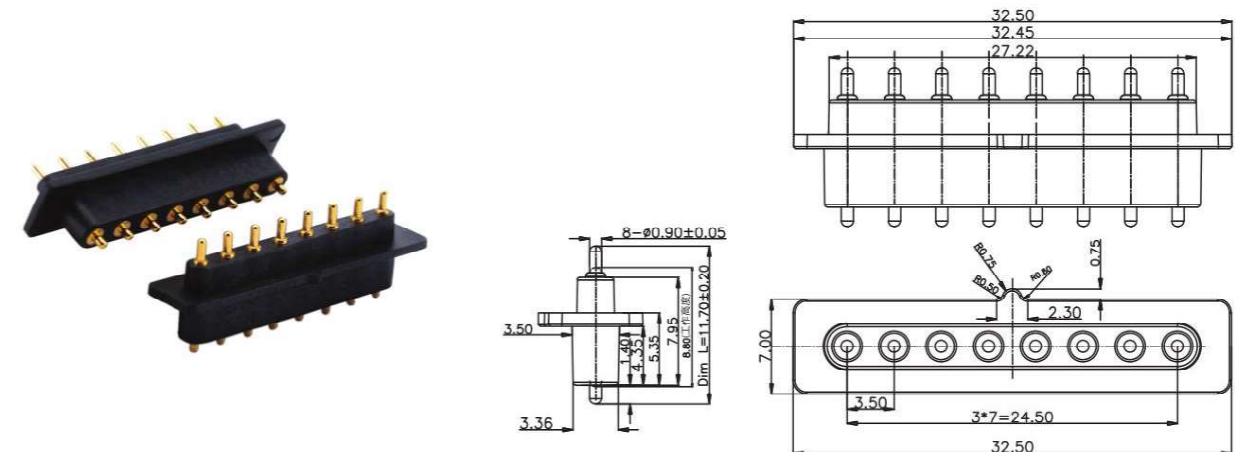
3.0mm 3Pin POGO PIN Dip Type h=7.2mm P/N:PGA30-03G15-72  
3.0间距弹针3P防H=7.2mm Diameter&pin number and length customizable (直径&pin数和长度可定制)



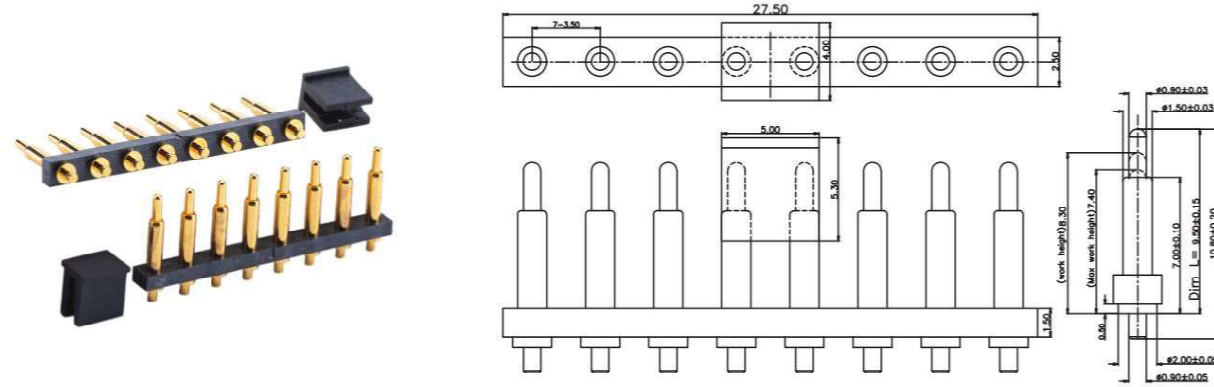
3.5mm 3Pin POGO PIN Dip Type H=6.8mm P/N:PGA35-03G-68-E2  
3.5间距弹针3P空1P高6.8mm pin number and Pin height(Dim L) customizable (pin数和pin高度可定制)



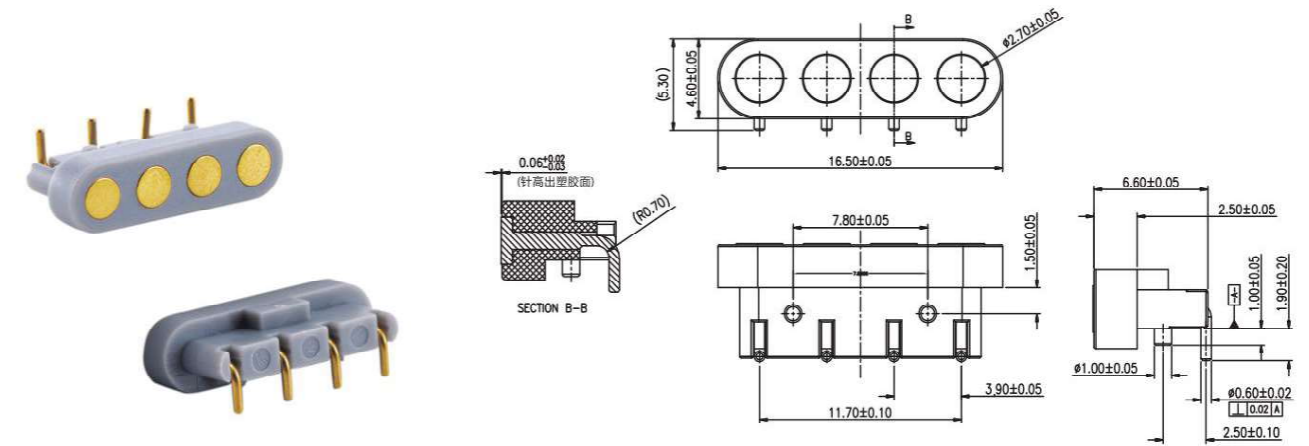
3.0mm 2Pin POGO PIN Dip Type H=8.2mm P/N:PGA30-02G5-82  
3.0间距弹针2P高8.2mm pin number and Pin height(Dim L) customizable (pin数和pin高度可定制)



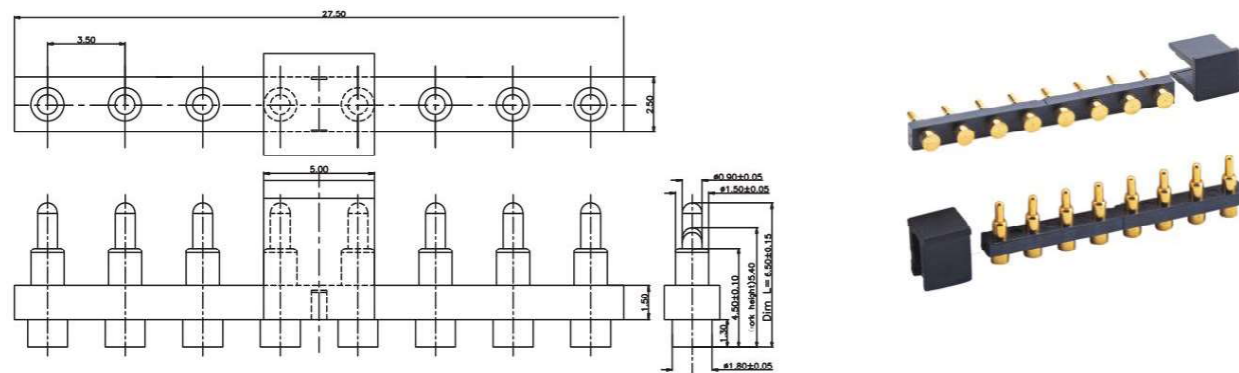
3.5mm 8Pin POGO PIN Dip Type H=11.7mm P/N:PGA35-08G5-117  
3.5间距弹针8P针长11.7mm Diameter&pin number and length customizable (直径&pin数和长度可定制)



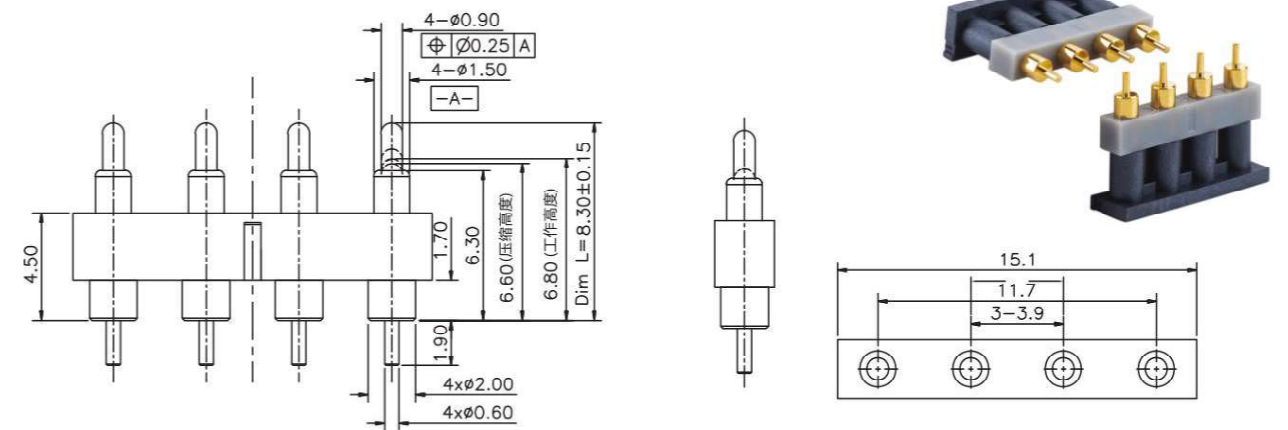
3.5mm 8Pin POGO PIN Dim Type Pin Height 9.5mm P/N:PGA35-08G-95  
3.5间距弹针8P针长9.5mm Diameter&pin number and length customizable (直径&pin数和长度可定制)



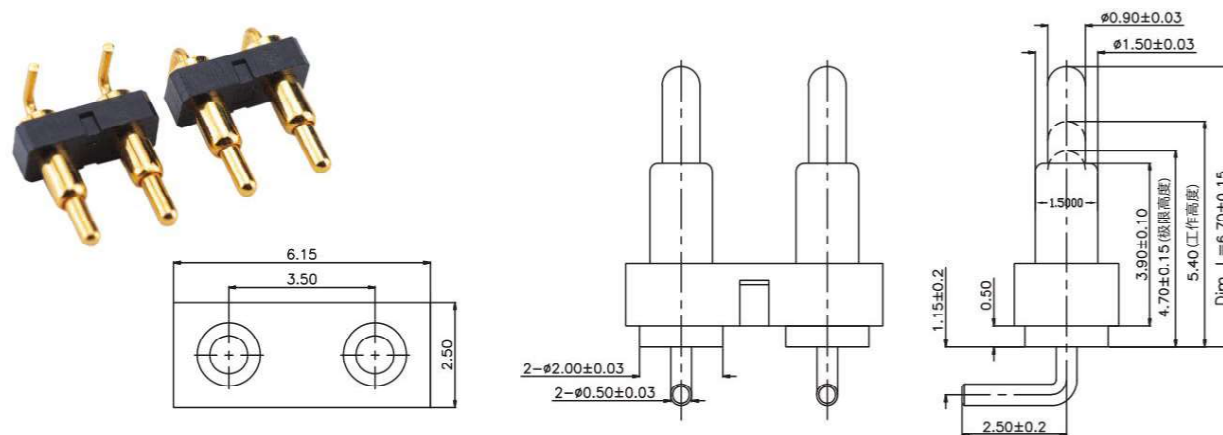
3.9mm 4Pin POGO PIN R/A Dip Type P/N:PGPAR39-04G  
3.9间距弹针4P弯针 Diameter&pin number and length customizable (直径&pin数和长度可定制)



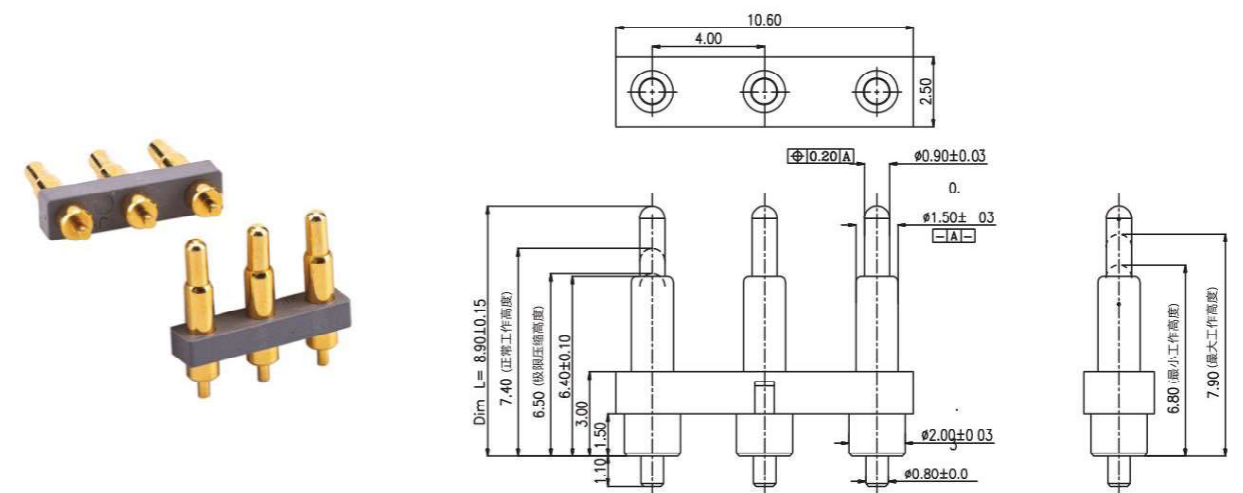
3.5mm 8Pin POGO PIN Dim Type Pin Height 6.5mm P/N:PGA35-08G-65  
3.5间距弹针8P针长6.5mm Diameter&pin number and length customizable (直径&pin数和长度可定制)



3.9mm 4Pin POGO PIN Dip Type H=8.3mm P/N:PGA39-04G10-83  
3.9间距弹针4P针长8.3mm Diameter&pin number and length customizable (直径&pin数和长度可定制)



3.5mm 2Pin POGO PIN R/A Dip Type P/N:PGAR35-02G-6725  
3.5间距弹针2P弯针 Diameter&pin number and length customizable (直径&pin数和长度可定制)



4.0mm 3Pin POGO PIN Dip Type H=8.9mm P/N:PGA40-03G16-89  
4.0间距弹针3P高8.9mm pin number and Pin height(Dim L) customizable (pin数和pin高度可定制)

